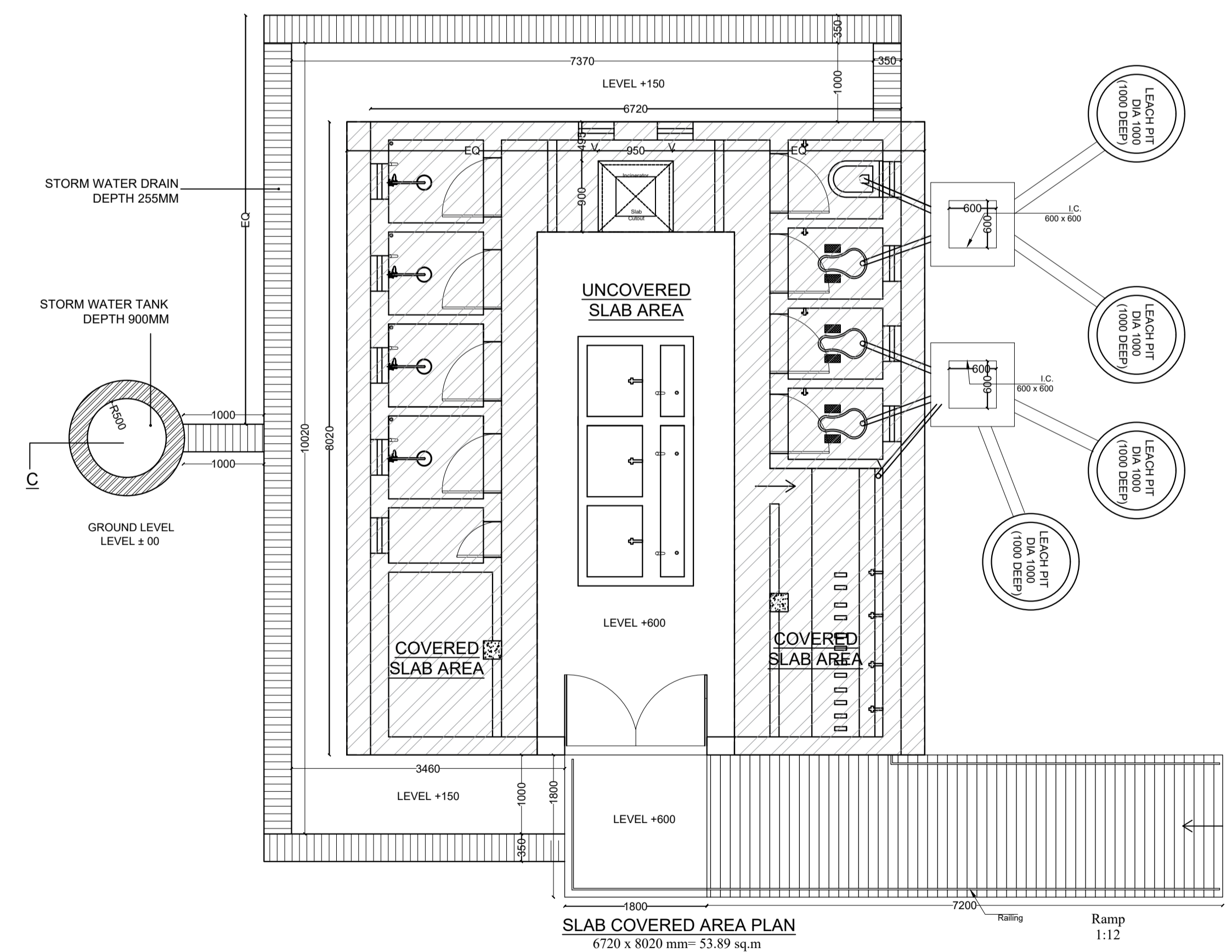
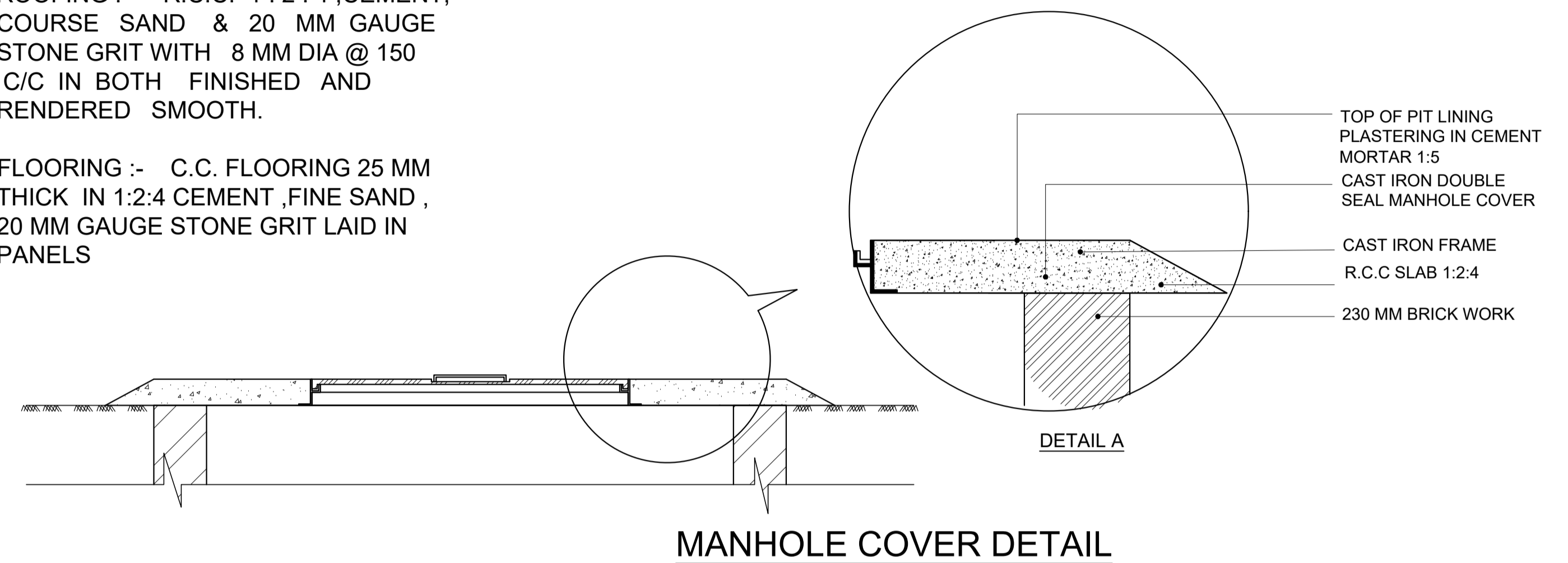


### SPECIFICATIONS

- 1 BASE CONC. :- 1:5:10, CEMENT, FINE SAND (F.M.-1.25) & 40 MM GAUGE BRICK BALLAST.
- 2 BRICK WORK :- 1:6, CEMENT, FINE SAND (F.M.-1.25)
- 3 D.P.C.:- 25 MM THICK IN 1:2:4, CEMENT, FINE SAND) & 20 MM GAUGE STONE GRIT WITH WATER PROOFING COMPOUND.
- 4 ROOFING :- R.C.C. 1 : 2 : 4, CEMENT, COURSE SAND & 20 MM GAUGE STONE GRIT WITH 8 MM DIA @ 150 C/C IN BOTH FINISHED AND RENDERED SMOOTH.
- 5:- FLOORING :- C.C. FLOORING 25 MM THICK IN 1:2:4 CEMENT, FINE SAND, 20 MM GAUGE STONE GRIT LAID IN PANELS
- 6:- DOORS:- 30 MM THICK PVC DOOR SHUTTER FIXED WITH WALL WITH BUTT HINGES OF 4" SS OF SUITABLE SIZE.
- 7:- VENTILATOR:- PRECAST RCC JAALI 25MM THICK
- 8:- FOUNDATION FOR HALF BRICK WALL IS SAME AS ONE BRICK WALL

| SCHEDULE FOR DOORS & WINDOWS |              |             |           |                 |
|------------------------------|--------------|-------------|-----------|-----------------|
| S/N                          | TYPE         | SIZE (MM)   | SILL (MM) | LINTEL LVL (MM) |
| 1                            | D1           | 1800 X 2100 | -         | 2100            |
| 2                            | D2           | 750 X 1800  | -         | 1800            |
| 3                            | D3           | 450 X 1800  | -         | 1800            |
| 4                            | V- RCC JAALI | 450 X 300   | 1800      | 2100            |
| 5                            | R.C.C.C1     | 230 X 230   | -         | -               |
| 6                            | R.C.C.C2     | 230 X 230   | -         | -               |



Uttar Pradesh Swachh Bharat Mission Grameen

DATE: 26/06/2020  
SCALE: NOT TO SCALE (N.T.S.)

DRG. NO: R2/IDC/ 2.  
Women & Toddlers  
Sanitary Complex for 80 Users

Uttar Pradesh State Resource Center  
for Waste Management (SRC)

ALL DIMENSIONS COVERED AREA  
ARE IN MM 53.89 SQ.M

Drawn By:  
 **इंडियन डेवलपमेंट सेंटर**  
INDIAN DEVELOPMENT CENTER

4th Floor, Room No. 404 & 403  
Local Bodies Directorate, Plot No. 18, Sector  
7, Gomti Nagar Extension, Lucknow- 226010,  
Uttar Pradesh, India  
connect@indevcen.org